

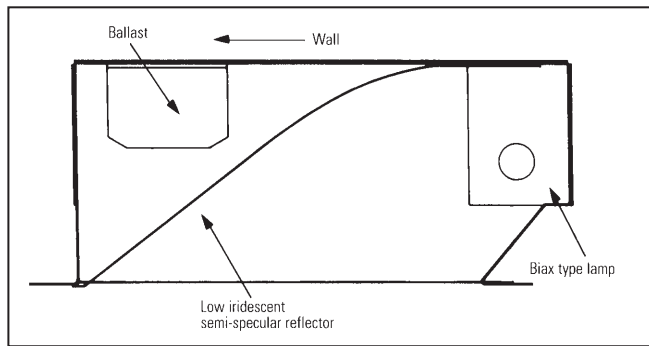
Walmaster WMRL143120S0

Features

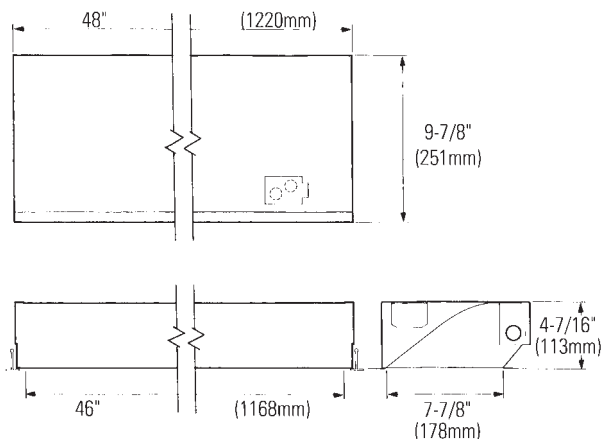
- Low iridescent semi- specular reflective system for precise controlled light output.
- Evenly lights vertical surfaces or displays (no scallops).
- Less than 3:1 maximum to minimum wall illumination when installed 6 feet on center.
- 20,000 hours lamp life
- Energy saving T8 lamp..
- No edges protrude below ceiling line.
- Can be installed only 2 feet from wall to farthest edge of fixture (3 feet maximum).
- Fits all standard and narrow grid ceiling systems.
- One-piece body and integral hanger for easy, quick installation.
- Sides of fixture can support tile or sit on T-bar.
- UL-Listed access plate.
- Meets NYC Code requirements.



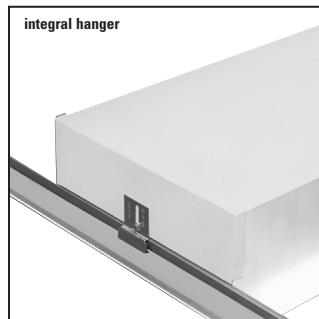
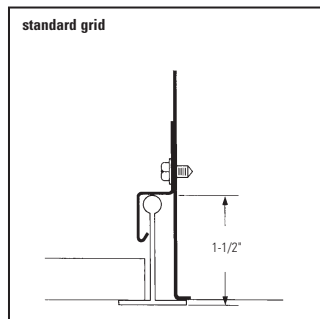
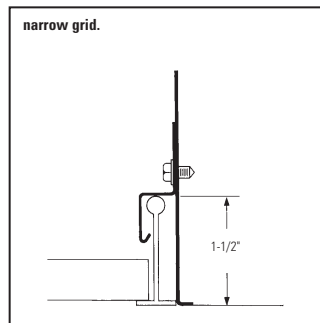
Features



Dimensions



Mounting Methods



Job Information	Type:
Job Name:	
Cat. No.:	
Lamp(s):	
Volts/Ballast:	

Lightolier a Genlyte Company www.lightolier.com
 Technical Information: (978) 657-7600 • Fax (978) 658-0595
 631 Airport Road, Fall River, MA 02720 • (508) 679-8131 • Fax (508) 674-4710
 We reserve the right to change details of design, materials and finish.
 © 2005 a Genlyte company **Section 5/Folio K10-17 Rev. A**



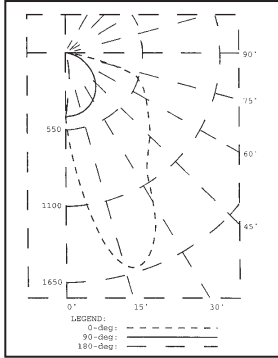
Walmaster WMRL143120S0

Photometry

Model No. WMRL143120S0

LER = FP - 53.6 IW - 31.5 BF - 0.85

Comparative yearly lighting energy cost per 1000 lumens = \$4.46



coefficients of utilization — zonal cavity method

	RF	20			30			40		
	RC	80			50			30		
	RW	70	50	30	50	30	10	50	30	10
room cavity ratio	1	76	73	69	68	66	64	65	63	62
	2	69	63	58	59	55	52	57	54	51
	3	63	55	49	52	47	44	50	46	43
	4	57	49	43	46	41	37	45	40	37
	5	53	44	37	41	36	32	40	35	32
	6	49	39	33	37	32	28	36	31	28
	7	45	36	29	34	29	25	33	28	25
	8	42	33	27	31	26	22	30	25	22
	9	39	30	24	29	24	20	28	23	20
	10	37	28	22	26	22	18	26	21	18

FOOTCANDLES ON WALL Fixtures 3 feet from wall to outside trim on lamp side of fixture

Ceiling	INDIVIDUAL WALMASTER								MULTIPLE UNITS							
	0'	1'	2'	3'	4'	5'	6'	7'	6'							
8'	49	38	21	12	8	5	4	3	58	46	32	28	32	46	58	
7'	49	22	29	18	12	8	6	4	59	54	44	40	44	54	59	
6'	36	33	25	18	12	8	6	5	48	45	41	39	41	45	48	
5'	27	25	21	16	12	9	7	5	39	38	37	36	37	39	39	
4'	21	20	17	14	11	8	7	5	33	32	32	31	32	32	33	
3'	16	16	14	12	9	8	6	5	28	28	28	28	28	28	28	
2'	13	13	12	10	9	7	6	5	25	24	24	24	24	24	25	
1'	11	10	10	9	8	6	6	5	21	21	21	21	21	21	21	
Floor																

Ceiling	MULTIPLE UNITS								CONTINUOUS ROW									
	8'								0'	1'	2'	3'	4'	5'	6'	7'	8'	
8'	53	41	26	18	16	18	26	41	53	50	59	68	59	51	59	68	59	50
7'	52	46	34	26	23	26	34	46	52	67	71	76	72	69	72	76	71	67
6'	41	38	32	26	24	26	32	38	41	60	63	65	64	63	64	65	63	52
5'	32	30	27	25	24	25	27	30	32	52	54	55	55	55	55	55	53	52
4'	25	25	24	22	21	22	24	25	25	46	46	47	47	48	47	46	46	46
3'	21	21	20	20	19	20	20	21	21	38	39	40	40	41	40	40	39	38
2'	18	18	18	17	17	17	18	18	18	33	34	35	35	35	35	35	34	33
1'	15	15	15	15	15	15	15	15	15	28	29	30	30	30	30	30	29	28
Floor																		

Ordering Information

Explanation of Catalog Number. Example: WMRL143120S0GLR

WM Walmaster: Low iridescent semi-specular wallwash	R Recessed	L Reflector: L = Low iridescent semi-specular aluminum	1 Lamp	4 Length: 4=48"	3 Watts: 3=32 Watts	120 or 277 Voltage: UNV=120-277	Options: Add appropriate suffix to catalog no. ie: (GLR)
--	----------------------	---	------------------	------------------------------	----------------------------------	--	--

Options/Accessories

Fusing: Internal fast-blow fusing. Suffix: **GLR**.

Internal slow-blow fusing. Suffix: **GMF**.

Radio Interference Filter: To order one RIF per fixture, Suffix: **R**.

To order one RIF per ballast, Suffix: **B**.

Electrical/Wiring Options: Consult factory.

Fluorescent Emergency Lighting System: Factory-installed emergency power battery pack with charger and inverter. Suffix: **EM**.

Drywall Frame: Catalog Number: **WL4DF/UNV**.

Specifications

Materials: Chassis parts are die-formed 20 gauge cold rolled steel with integral adjustable hanger clamp. **Reflectors**—low iridescent semi-specular aluminum are standard.

Finish: Chassis exterior—phosphate undercoating, baked white acrylic enamel. **Reflector**—low iridescent semi-specular IS standard.

Electrical: Rapid start HPF, thermally protected class "P" ballast (Biax type).

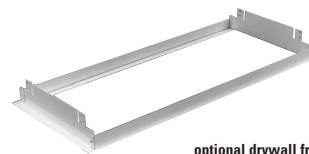
If K.O. is within 3" of ballast, use wire suitable for at least 90°.

Labels: I.B.E.W./UL and ULc Listed.

Ballast Type:

<20THD	SO*	<10THD
1 Lamp Electronic (T8)	PS*	HI*
LOL T8 Dimming		-
*Instant Start Standard		

NOTE:
For T8 UNV, you must use HI Ballast Code.



optional drywall frame WL4DF/UNV.

Job Information

Type:

Lightolier a Genlyte Company

www.lightolier.com

Technical Information: (978) 657-7600 • Fax (978) 658-0595

631 Airport Road, Fall River, MA 02720 • (508) 679-8131 • Fax (508) 674-4710

We reserve the right to change details of design, materials and finish.

© 2005 a Genlyte company

Section5/Folio K10-17 Rev. A

LIGHTOLIER®